



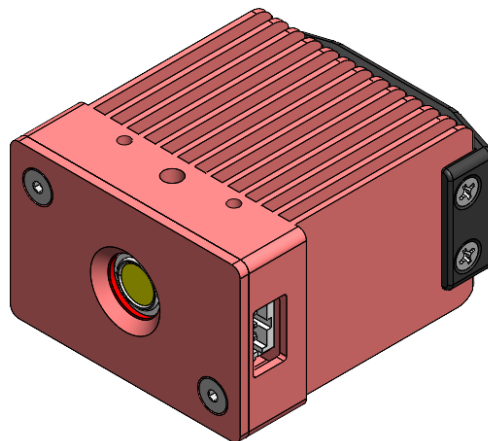
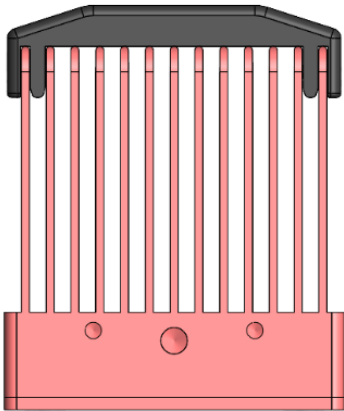
LuMEE 1-K LED

Mechanical Specifications:

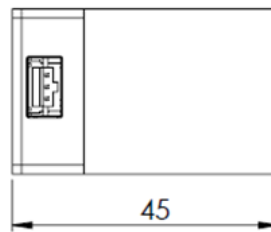
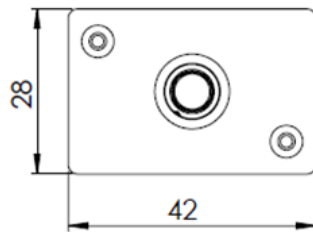
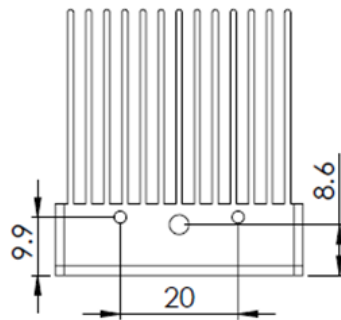
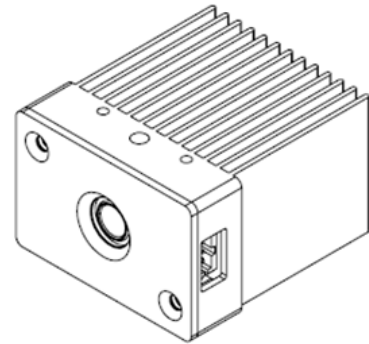
Mass: 70G

Material: Aluminum 6063 Extruded, Aluminum 6061-T6

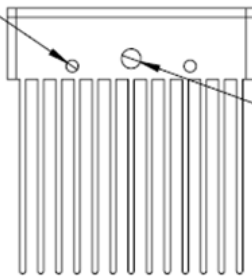
Mounting Features: 1x M4, 2x M2.5 on top and bottom



LuMEE 1-K LED



4 x M2.5x0.45 ∇ 5



2 x M4x0.7 ∇ 8

LuMEE 1-K LED

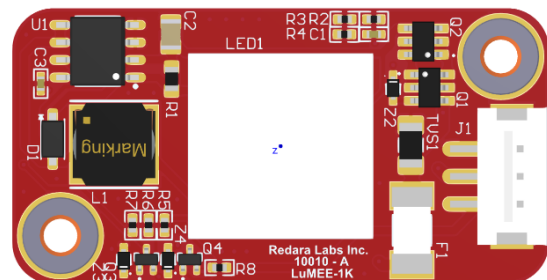
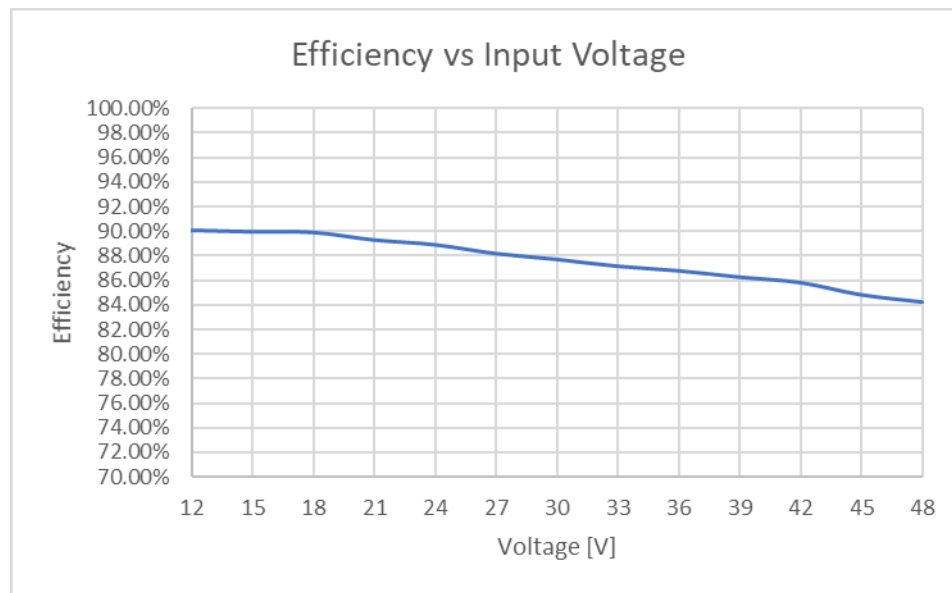
Electrical Specifications:

Voltage Input Range: 12V-48V

LED Power Consumption: 10W

Pinout: Power, Ground, PWM (optional)

LED Behavior: Power & Ground + PWM floating results in default on 100% duty cycle





LuMEE 1-K LED

Optical Specifications:

LED Luminous Intensity: 1000 Lumens

LED Field of View: 40% Luminous intensity at 130 degrees

LED Temperature: 4000K

